

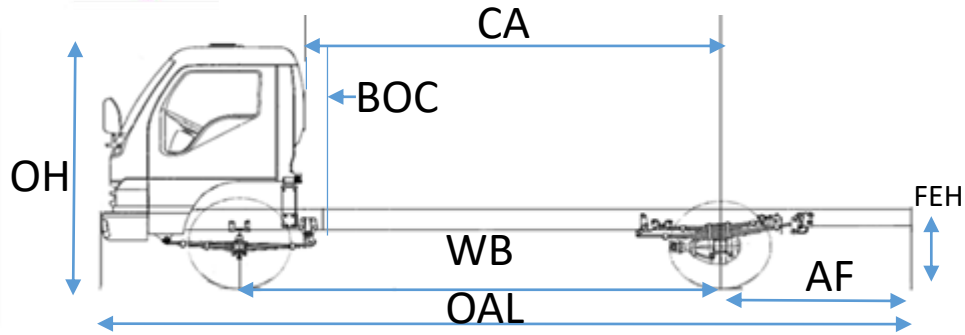
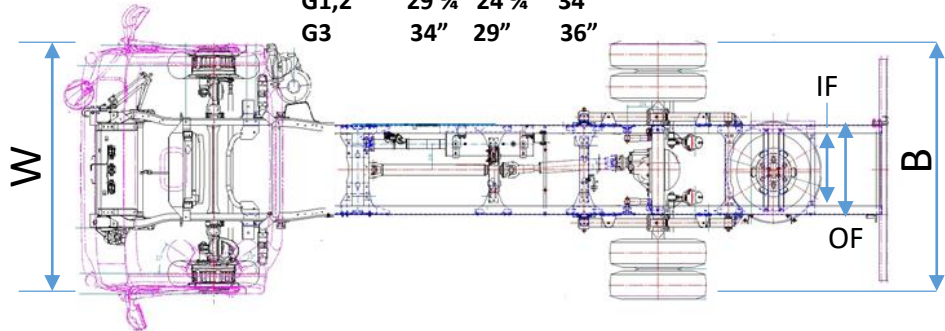
WARRANTY
5 YEARS / 100,000 MILES



AVAILABLE IN:
CNG PROPANE
GASOLINE
FUTURE PRODUCTS
HYBRID, ELECTRIC

FRAME INFORMATION

MODELS	OF	IF	FEH
G1,2	29 ¾"	24 ¾"	34"
G3	34"	29"	36"



MODELS	WHEEL BASE (WB)	OVERALL LENGTH (OAL)	OVERALL WIDTH (W)	BACK (B)	OVERALL HEIGHT (OH)	BACK OF CABIN (BOC)	CAB TO AXLE (CA)	USABLE (CA)	AXLE TO FRAME END (AF)
G1 14,500-17,950	150"	275"	78.5"	78"	95"	9.5"	127.5"	118"	76"
G2 19,500	150"	275"	78.5"	78"	95"	9.5"	127.5"	118"	76"
G3 26,000	208"	348"	89.9"	92"	101"	9.5"	181.0"	171.5"	87"
G4 33,000	208"	348"	89.9"	92"	101"	9.5"	181.0"	171.5"	87"

MODELS	G SERIES 1	G SERIES 2	G SERIES 3	G SERIES 4
GVWR LBS	14,500 15,995 17,950	19,500	26,000	33,000
ENGINE	GM V8 VORTEC 6.0 L	GM V8 VORTEC 6.0 L	GM V8 VORTEC 8.0 L	GM V8 VORTEC 8.0 L
TRANSMISSION	General Motors	ALLISON 2200	ALLISON 2300 RDS	ALLISON 2300 RDS
WHEELBASE	109" 132" 150" 176" 208"	132" 150" 176" 208"	132" 150" 176" 208" 220"	132" 150" 176" 208" 220"
BRAKES	BELT DRIVEN AIR COMPRESSOR	BELT DRIVEN AIR COMPRESSOR	BELT DRIVEN AIR COMPRESSOR	BELT DRIVEN AIR COMPRESSOR
ALTERNATOR	160 AMPS	200 AMPS	200 AMPS	200 AMPS
TIRES	225/70R 19.5	225/70R 19.5	255 /70R 22.5	255/70R 22.5